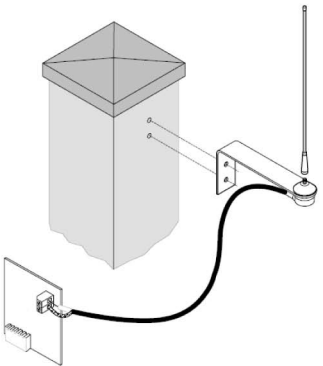
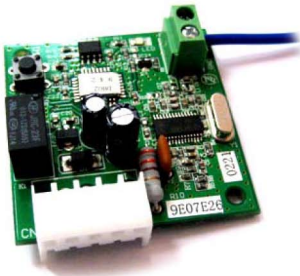


Operating directions for in-built receiver RECEIVER 433



TECHNICAL FEATURES

Model	Receiver 433
Working frequency	433.92 MHz
Supply voltage	12/24 V AC/DC
Antenna length	170 mm
Maximum quantity of remote controllers	120 pcs
Operation temperature	-20; +50



INTENDED USE

In-built receiver Receiver 433 is intended for receiving of a remote controller radio signal at a frequency 433 MHz and for generating a signal to control electric operators FAAC.

INSTALLATION

The receiver Receiver 433 is installed in a design slot on the control plate FAAC.

REMOTE CONTROLLER ENTRY

1. To enter one remote controller press and hold for 3 sec the key SW1 on the radio receiver's card, at that the indicator on the receiver card will light up, after that press the required key.
2. To enter other remote controllers repeat the procedure for each remote controllers.
3. To delete all remote controllers and to clean the memory, press and hold the key SW1 until the indicator on the card is off.